

**PTO MOVABLE WALLS
PTO FOLDING WALLS
PTO MOVABLE GLASS WALLS
PTO FOLDING DOORS, ACCORDION DOORS, SOFT WALLS
PTO WALL SYSTEMS, SECURITY GATES**

PEKOLAN PUUTYÖ OY



WITH PTO SPACE DIVIDERS YOU CAN CREATE SPACE ACCORDING TO YOUR NEEDS



This is how a PTO 1000 movable wall is used in Bowling City, St. Petersburg. The product is used 7 days a week, 24 hours a day.

The PTO SPACE DIVIDERS are especially suitable for schools, day nurseries, offices, hotels, restaurants etc. Clear savings can be obtained by using movable space dividers. Building a movable wall system at the construction stage could cost more than building a fixed wall. The rooms are used more effectively with the walls and your investment is returned in the long-term.

PTO offers a wide selection of different solutions. Even in the planning phase of the building, it is important to evaluate the best solution for the site. When we offer our clients dB products, we always include the product Rw value. Our products have been principally tested by the Technical Research Centre of Finland (VTT), according to the ISO 717-1 classification.

The commercial and technical assistance team at PTO is always at your disposal.

For more detailed technical specifications, visit www.pekola.com

PTO-1000 / 1200 MOVABLE WALLS, system consisting of separate elements



Päiviösaaren koulu, Varkaus
PTO-1000, 46 dB, white laminate

The PTO-1000/1200 system consists of separate elements. The separate elements can easily be stored according to the space requirements. The elements lightly slide on one or two upper wheel assembly. The wheel assembly consists of two wheels with bearings placed on top of each other. The elements are tightened mechanically between the floor and the track. The last vertical joint is tightened with a telescopic element. A passdoor measuring 880 x 2030 mm can be built into the element. The element can also be equipped with glass. Normally we use tempered safety glass 2K 4-15-4/4. The appearance of the PTO-1000 and the PTO-1200 differ. The PTO-1000 has surface boards inside the aluminium profile, while for the PTO-1200, the surface boards cover the aluminium profile.

Models/Sound Insulation Index (Rw value)

- PTO-1000 38 dB, 46 dB, 49 dB
- PTO-1200 38 dB, 46 dB, 50 dB, 53 dB

Element Dimensioning

- Maximum width 1200 mm
- Maximum height 7000 mm
- Exit width 1240 mm and minimum height 2600 mm, with exit 880 x 2030 mm

Element Weight 35...60 kg/m²

Element Base

- Natural colour with anodised aluminium as standard
- Can be painted with RAL tone on request
- All gaskets are grey, RAL 7045

Track

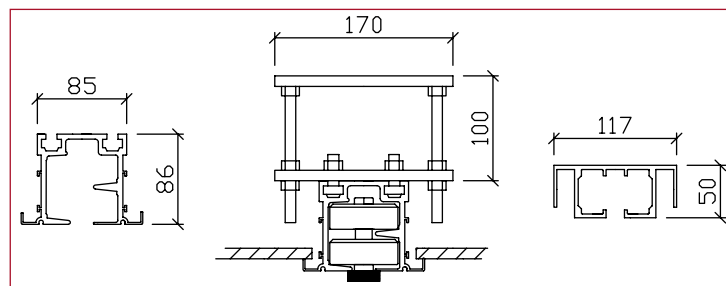
- Aluminium, powder painted in white, RAL 9010 or natural anodised
- Joints of the storage area are welded, rigid structure
- Can be painted with RAL tone on request

Surface Materials

- Melamine, veneered (also stained), painted or laminate
- A chalkboard or drawing board, or for example, the clamping surface of a bullet board, can be installed onto the surface



Merttelän koulu, Rusko



PTO 1200, 1000, 850, 825 track systems

PTO-1000, PTO-1200, PTO-850, PTO-852 SAMPLES



1 Elements with one wheel assembly.



2 Elements with two wheel assemblies, with the second wheel staying on the main track.



3 Elements with two wheel assemblies, with elements that have been completely moved away from the main track.

PTO-850 / 852 MOVABLE WALLS, system consisting of separate elements

The PTO-850 / 852 MOVABLE WALL also consists of separate elements. The separate elements can easily be stored according to the space requirements. The elements can be equipped with one or two wheel assemblies with ball bearings. The elements are sealed between the floor and track either with trailseal or mechanical tensioning. The last vertical joint is always tightened with a telescopic element. In the PTO-850 movable wall system, the exit is built so that the basic element that will become the exit door is hinged to the previous element. In this case, the exit door and the previous element go together in the track. The height of the exit door is the same as the height of the element.

Models/Sound Insulation Index (Rw value)

- PTO-85038 dB, 41 dB, 46 dB
- PTO-85238 dB, 41 dB, 46 dB

Elements

- Aluminium structure, anodised with natural colour
- Can be painted with RAL tone on request
- Maximum width 1000 mm
- Maximum height 3500 mm
- All gaskets are grey, RAL 7045

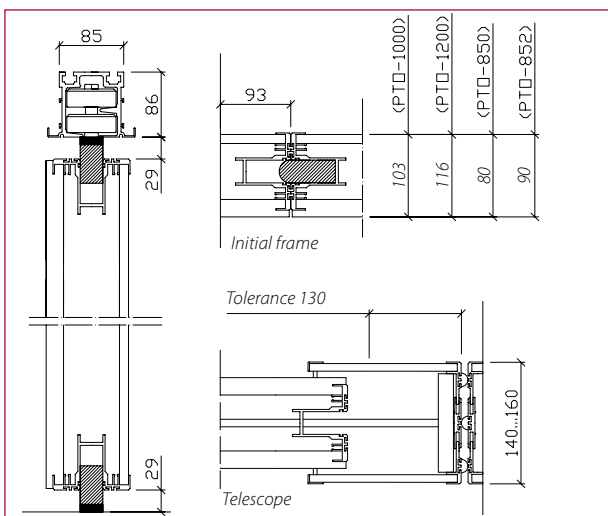
Element Weight 25...45 kg/m²

Track

- Aluminium, powder painted in white, RAL 9010 or natural anodised
- The track joints are made mechanically

Surface Materials

- Melamine, veneered (also stained), painted or laminated



PTO-1000, 1200, 850, 852 pictures of the connection points



Beech Hill House, Belfast
PTO-850, 38 dB, painted in white



Kostian koulu
PTO-850, 38 dB, melamine birch

STORING ELEMENTS



Elements with two wheel assemblies. The distance between the storage tracks is less than the distance of the wheels. This makes it easier to move the elements to the storage area.



Elements with two wheel assemblies. The distance between the storage tracks is less than the distance of the wheels. This storage method is recommended especially for high walls.



Elements with two wheel assemblies. If there are many elements, many groups can be assembled in the storage area and the size of the groups is kept relatively small.

PTO-850 / 852 FOLDING WALLS, the elements have been attached with hinges



The State Hermitage Museum, St. Petersburg
PTO-850, 38 dB, painted beige

PTO-850 / 852 FOLDING WALL is a suitable space divider for multiple uses. It can include one or two pieces and it can go on a surface installed floor track or hang on an upper guide track. The elements can be installed onto the track both centrally and peripherally. The elements are sealed between the floor and track either with trail seal or mechanical tensioning. The last element of the folding wall and the central elements of the two-part wall always form a door or double door. When the folding wall is closed, it forms a smooth wall surface.

Models/Sound Insulation Index (Rw value)

- PTO-850 38 dB, 41 dB, 46 dB
- PTO-852 38 dB, 41 dB, 46 dB

Element Dimensioning

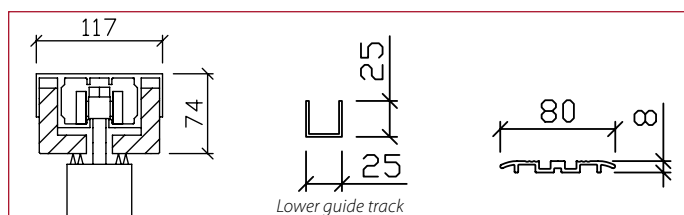
- Maximum width 850 mm
- Maximum height 3500 mm
- Element Weight 25...45 kg/m²
- Element base is made of aluminium and it is anodised to natural colour

Track

- Aluminium, the upper track has been powder painted in white, RAL 9010 or natural anodised. The floor track has been anodised

Surface Materials

- Melamine, veneered (also stained), painted or laminate



PTO-850, 852, 600 track system

PTO-600 FOLDING WALLS, the elements have been attached with hinges and equipped with glass



Säterinmetsän päiväkot, Espoo
PTO-600 LS / stained birch,
Kick-plates and Venetian blinds as accessories

PTO-600 FOLDING WALL is a suitable space divider for multiple uses that has been equipped with glass. Venetian blinds can be installed onto the glass. It can include one or two pieces and it can go on a surface installed floor track or hang on an upper guide track. The elements can be installed onto the track both centrally and peripherally. The elements are sealed between the floor and track with trail seals. The last element of the folding wall and the central elements of the two-part wall always form a door or double door.

Element Dimensioning

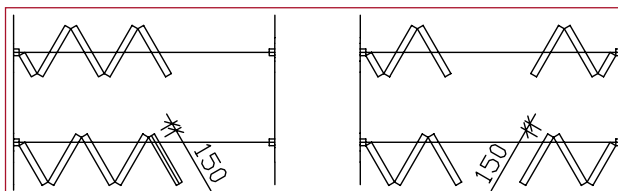
- Maximum width 850 mm
- Maximum height 3000 mm
- Element base is made of wood

Track

- Aluminium, the upper track has been powder painted in white. The floor track has been anodised

Surface Materials

- Veneered (also stained), painted and laminated



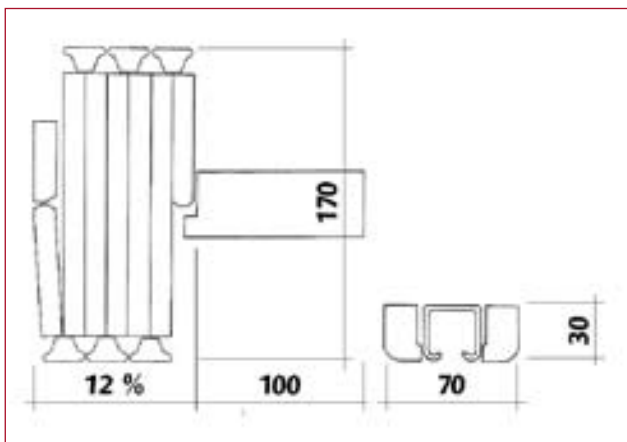
PTO-850, 852, 600 opening options

The PTO-145 FOLDING DOORS are suitable for dividing space in public areas where there is no need for sound insulation. The door can be equipped with an Abloy lock.

- Panel width 145 mm
- Track and lath width 70 mm
- The doors require 190 mm space (w) in stacking area
- Maximum width of the exit:
6000 mm / 1 piece
12000 mm / 2 piece
- Maximum height of the exit 3600 mm

Surface Materials

- Veneered (also stained), laminated or painted



PTO-145 Dimensioning of the door assembly and cover laths



Kettukallion päiväkoti, Tervakoski
PTO-145, laminate PP 7583, shiny,
Foot stopper as an accessory

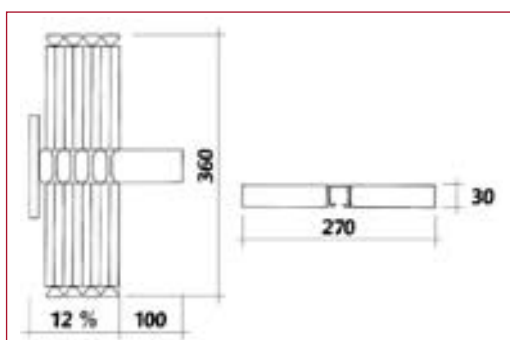
PTO-330 DOUBLE-WALLED FOLDING DOORS

The PTO-330 DOUBLE-WALLED FOLDING DOORS are suitable for dividing space in public areas where there is no need for high sound insulation. The door can be equipped with an Abloy lock.

- The sound insulation index of the PTO-330 double-walled folding doors is R_w 33 dB
- Panel width 145 mm
- Track and lath width 270 mm
- The doors require 380 mm (w) in stacking area
- Maximum width of the exit:
6000 mm / 1 piece
12000 mm / 2 piece
- Maximum height of the exit 3600 mm

Surface Materials

- Veneered (also stained), laminated or painted



PTO-330 Dimensioning of the door assembly and cover laths



Pohjosen koulu, Riihimäki
PTO-330, beech veneered

PTO MOVABLE GLASS WALLS / GLASS FOLDING WALLS



Stockmann department store, Tampere
PTO movable glass walls, laminated glass

The PTO GLASS WALLS is our newest product range. The wall system offers the following solutions:

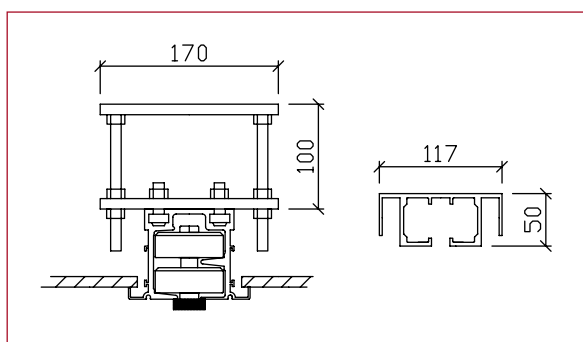
- Element system consisting of several pieces
- Folding wall
- Sliding door
- Fixed wall solution

The glass walls are an excellent solution for places such as shopping centres. The elements slide along the upper track with two wheel assemblies equipped with bearings.

The upper and lower profiles of the elements are natural anodised aluminium, which are also possible to cover with brass or steel plates. Aluminium profiles are also available power coated or veneered with real wood veneer. The glass is 10...12 mm tempered safety glass or tempered laminated glass 5 + 5 mm.

The maximum height of the elements is 3600 mm and maximum width 2100 mm. Weight 25...35 kg/m².

The elements can be equipped with Abloy locks upon request.



The track system of PTO movable glass wall

PTO WALL SYSTEM, VAL 90



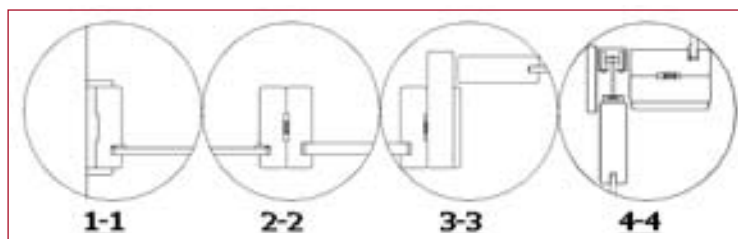
The headquarters of Wallenium, Tallinn.
VAL 90, painted

The VAL 90 wall system consists of elements customised to fit the customer's requested dimensions. The element solution is flexible and it can easily be modified during the usage years according to the space needs.

The structure of the profiles used in the elements is MDF plate. The profiles have been painted or veneered with hardwood veneer (also stained). The size of the structure profile is 30 x 90 mm. The dimensioning of the elements is done according to the customer's needs.

The elements can be filled with MDF plate. The treatment is the same as for the profiles, different glasses etc.

The wall system also allows for the use of different door solutions, including a normal exit door or a sliding door. The door can be equipped with an Abloy lock.



PTO wall system VAL 90 joints

The PTO ACCORDION DOORS is an advantageous solution for space dividing problems:

- Maximum exit width 12000 mm
- Maximum exit height 4500 mm
- Element wood structure or reinforced KM/met with support mechanisms
- Wheel assemblies with plastic coatings and bearings
- Support track C-30 burn painted or aluminium or steel anodised to beige
- Can be equipped with build-in lower guide track
- Textile/plastic coatings used as upholstery, 30 colour options
- The cover laths are coated with surface materials, different wood types or anodised aluminium
- The folded door width is 20% of the width of the closed door

The accordion doors offer a 18...29 dB sound insulation.
The accordion door can be equipped with an Abloy lock.



*Business Center, St. Petersburg
PTO-Voly II,
Foot stopper as an accessory*

PTO SOFT WALL



*Ojakkalan koulu
Jumppamaster*

The PTO SOFT WALLS are suitable space dividers for large areas, such as sports halls, school gymnasiums etc.

The biggest soft walls that have been delivered have been 35 m wide and 12 m high. As a whole, even up to 400 m². The product weight in this case is 2000 kg (5 kg/ m²).

The surface material can be textile/net or plastic fabric. The lifting wall can be equipped with sound insulation material that reduces sound 18...27 dB. In this case, so called "sound traps" have to be installed in the area surrounding the exit.

The soft wall is always electrically operated and the product is equipped with safety equipment according to the Machinery Directive.

PTO SECURITY GATE

- Suitable for protection and for limiting traffic
- Suitable for both indoor and outdoor use
- The structure of the PTO SECURITY GATE is made of steel, aluminium or brass
- The surface can be burn painted, zinc-coated or anodised
- The PTO SECURITY GATE can be equipped with an Abloy lock structure, long locking systems
- Maximum width 12000 mm, maximum height 4500 mm
- Weight 12...18 kg/m²
- Complies with the requirements of no. 3 safety protection guidelines



*Hotel Kamp, Helsinki
PTO Security gate*

We have very long experience in supplying different type of room dividers. Enclosed You will find customers who have chosen PTO-products.



ALSO IN THESE PROJECTS YOU WILL FIND PTO-PRODUCTS

Bowling City, St.Petersburg
Konecranes, Helsinki
HolidayInn, Moscow
Practicumhuset, Helsinki
Rossia, St.Petersburg
Aulanko, Hämeenlinna
Dostojevski, St.Petersburg
Crown Plaza, Helsinki
Levitunturi, Sirkka
Vaakuna, Hämeenlinna

Oscar, Varkaus
Viru, Tallinn
Central, Tallinn
Steiner school, Espoo
Pribaltiskaja, St.Petersburg
Techopolis, Vantaa
Life Science Center, Espoo
Lidl head-office, Vantaa
Beech Hill House, Belfast
Baltika brewery, St.Petersburg

KPMG Büroo, Estonia
SEB, Helsinki
Ismailova, Moscow
CBOSS, Helsinki
SPR, Helsinki
Parliament, Moscow
Ahlström Glassfibre, Karhula
Hotel Hilton, Vantaa
Datacity, Turku
ESP Clothing Finland Oy, Helsinki